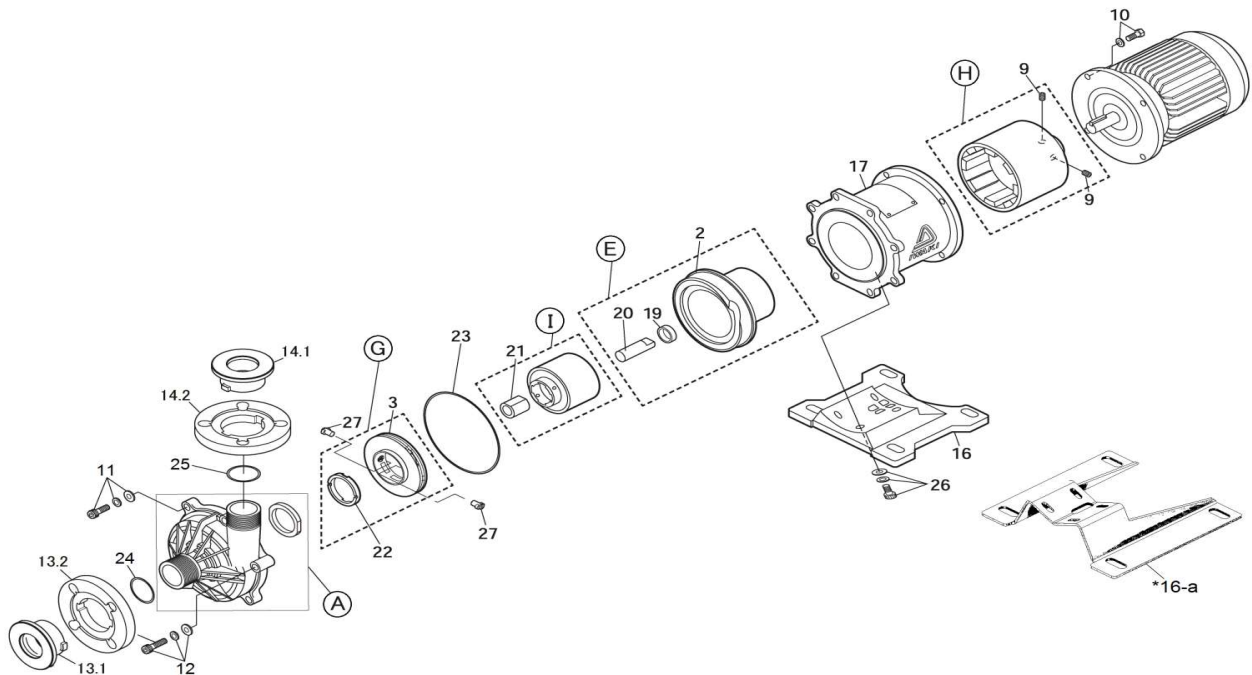


MX-F402-L • F403-L

No. 64-044
Jan. 01, 2023



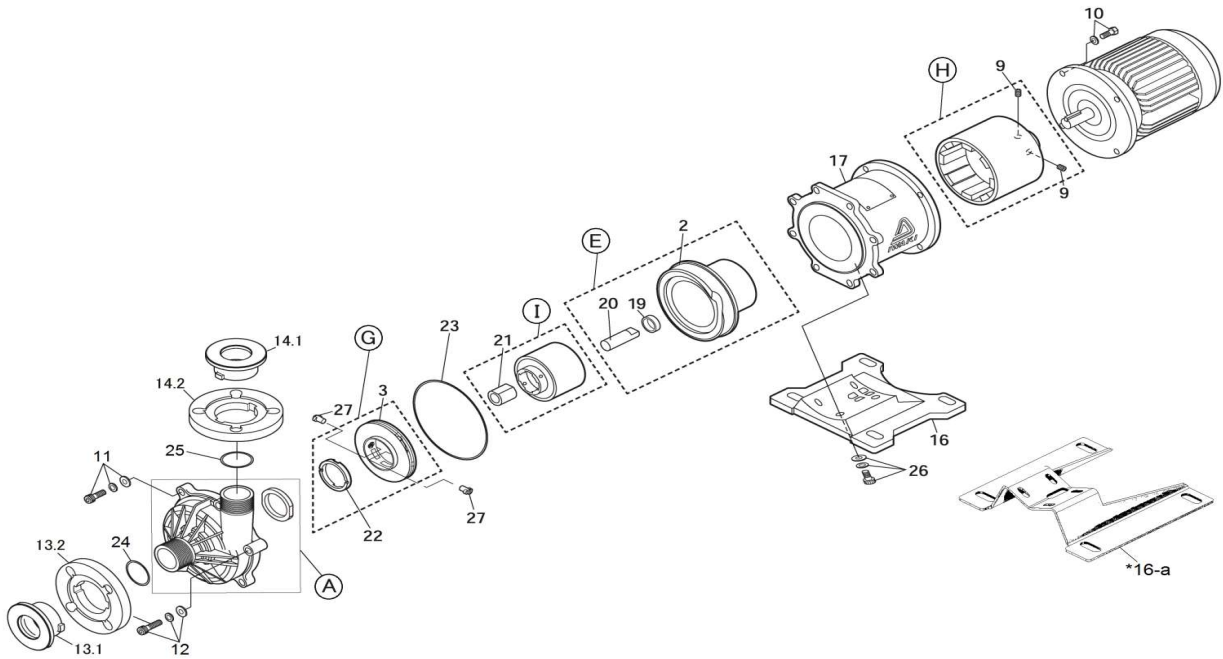
Item	Description		Q'ty	Material	MX-F402 (1,5kW)	MX-F403 (2,2kW)
					Part No.	Part No.
A	Front Casing+Liner Ring Unit	CF•RF	1	CFRETFE+CE	MX0932	↔
		KK	1	CFRETFE+SiC	MX0933	↔
2	Rear Casing		1	CFRETFE	MX0815	↔
3	Impeller (50Hz) [15F5]	"T" <Ø142mm>	1	CFRETFE	MX0485	
		"V" <Ø132mm>	1	CFRETFE	MX0718	
		"W" <Ø116mm>	1	CFRETFE	MX0719	
	Impeller (50Hz) [22F5]	"T" <Ø156mm>	1	CFRETFE		MX0490
		"V" <Ø145mm>	1	CFRETFE		MX0730
"W" <Ø129mm>		1	CFRETFE		MX0731	
H	Drive Magnet Unit [J2•J3]		1	FCD450+Magnet	MX0310	MX0323
I	Magnet Capsule+Bearing Unit [15F]•[22F]	CF	1	CFRETFE+C.	MX0453	MX0462
		RF	1	CFRETFE+PTFE	MX0454	MX0463
		KK	1	CFRETFE+SiC	MX0455	MX0464
10	Hex. (or Cap) Bolt with S.W.	M10x25	4	A4 (S6 equivalent)	BCW1025	↔
11	Cap Bolt with P.W. & S.W.	M10x55	7	A4 (S6 equivalent)	BCKS1055	↔
12	Cap Bolt with P.W. & S.W.	M10x60	1	A4 (S6 equivalent)	BCKS1060	↔
13-1	Flange 'IN' Inner	50mm	1	CFRETFE	MX1101	↔
13-2	Flange 'IN' Outer	50mm	1	GFRPP	MX1081	↔
14-1	Flange 'OUT' Inner	40mm	1	CFRETFE	MX1092	↔
14-2	Flange 'OUT' Outer	40mm	1	GFRPP	MX1075	↔
16	Base		1	GFRPP	MX0311	↔
*16-a	*Base for Ex-Motor		1	1.4571	8900100012	↔
17	Adapter (IEC90•B5)		1	FC200	MX0317	↔
19	Rear Thrust		1	CFRETFE	MX0457	↔
20	Spindle	CF•RF	1	Alumina Ceramic	MX0182	↔
		KK	1	SiC	MX0456	↔

*Note: Item "16-a" (Base) is an optional part.

⚠ Subject to change without prior notice! ⚠ Actual pump may differ from the exploded view!

MX-F402-L • F403-L

No. 64-045
Jan. 01, 2023



Item	Description	Q'ty	Material	MX-F402 (1,5kW)	MX-F403 (2,2kW)	
				Part No.	Part No.	
21	Bearing	CF	1	H. Density Carbon	MX0487	↔
		RF	1	PTFE	MX0307	↔
		KK	1	SiC	MX0488	↔
22	Mouth Ring	CF•RF	1	PTFE	MX0303	↔
		KK	1	SiC	MX0484	↔
23	O-Ring, G-195	() V	1	FKM-A	MX0180	↔
		() E	1	EPDM	MX0302	↔
		() A	1	Aflas®	MX0776	↔
24	O-Ring, AS568-136	() V	1	FKM-A	MX0181	↔
		() E	1	EPDM	MX0300	↔
		() A	1	Aflas®	MX0775	↔
25	O-Ring, AS568-129	() V	1	FKM-A	MX0130	↔
		() E	1	EPDM	MX0233	↔
		() A	1	Aflas®	MX0773	↔
26	Cap Bolt with P.W. & S.W.	M8x20	4	A4 (S6 equivalent)	BCK0820	↔
27	Lock Pin		2	CFRETFE	MX0489	↔
E	Rear Casing Assembly <2+19+20>	CF•RF	1	see above	MX0816	↔
		KK	1	see above	MX0817	↔
G	Impeller+Mouth Ring Ass'y <3+22> [50Hz]	CF•RF/T	1	CFRETFE+PTFE	MX0449	MX0458
		CF•RF/V	1	CFRETFE+PTFE	MX0722	MX0734
		CF•RF/M	1	CFRETFE+PTFE	MX0723	MX0735
		KKT	1	CFRETFE+SiC	MX0450	MX0459
		KKV	1	CFRETFE+SiC	MX0726	MX0738
		KKW	1	CFRETFE+SiC	MX0727	MX0739