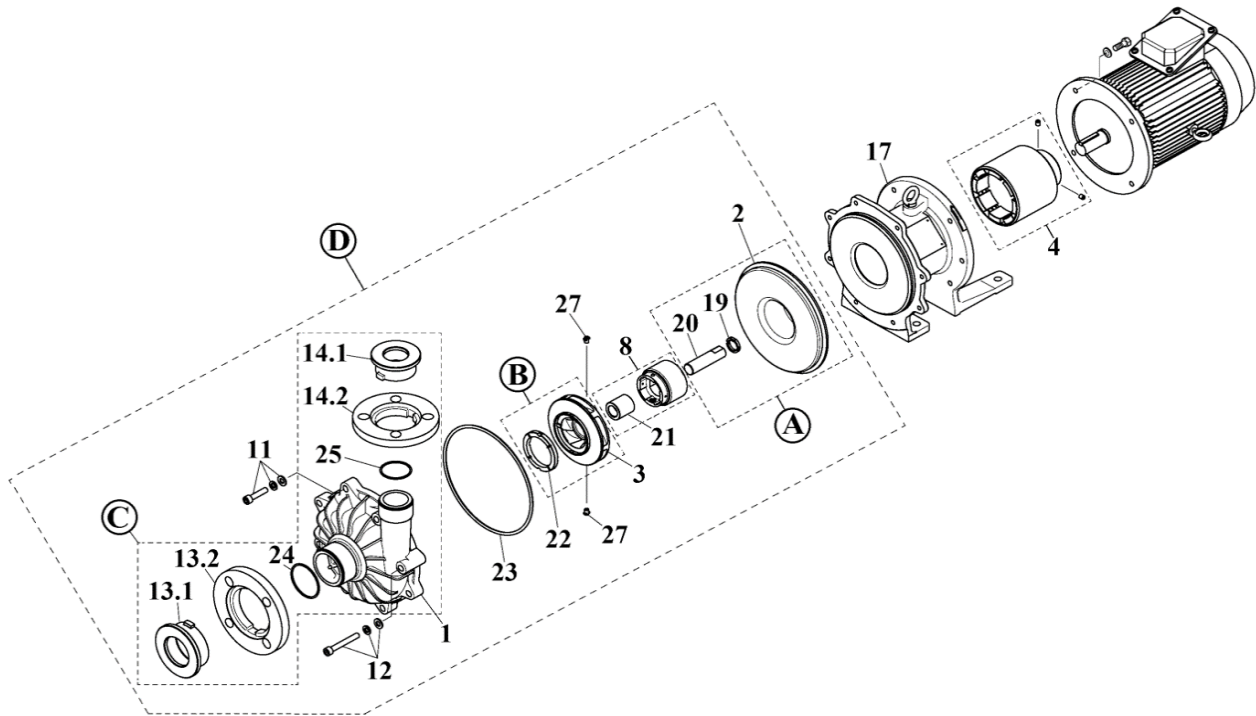


# MX-505-L (GFRPP)

No. 62-050  
Jan. 01, 2023



Item	Description	Q'ty	Type	Material	Part No.	Code No.
1	Front Casing+Liner Ring Unit	1	All models	GFRPP+Al.Ceramic	<b>MX0983</b>	1210049700
2	Rear Casing	1	All models	GFRPP	<b>MX0967</b>	1220323200
3	Impeller <Ø 145mm> [505]	1	50Hz	GFRPP	<b>MX0971</b>	1231268000
4	Drive Magnet Unit [XJ5]	1	4,0kW	FCD450+Magnet	<b>MXM0092</b>	1220300200
8	Magnet Capsule+Bearing Unit	1	<b>CV•CE</b>	PP+Carbon+Magnet	<b>MX0186</b>	1230987910
		1	<b>RV•RE</b>	PP+PTFE+Magnet	<b>MX0187</b>	1230987920
11	Cap Bolt with P.W. & S.W.	6	M10x45	Stainless Steel	<b>MX0312</b>	0150300046
12	Cap Bolt with P.W. & S.W.	2	M10x75	Stainless Steel	<b>MX0965</b>	
13.1	Inner Flange "IN"	1	65mm	GFRPP	<b>MX0982</b>	1231268700
13.2	Outer Flange "IN"	1		GFRPP	<b>MX0981</b>	1231284100
14.1	Inner Flange "OUT"	1	50mm	GFRPP	<b>MX0980</b>	1231268500
14.2	Outer Flange "OUT"	1		GFRPP	<b>MX0979</b>	1231284000
17	Adapter	1	IEC112 (B5)	FC200	<b>MX0961</b>	1220323700
19	Rear Thrust	1	All models	CFRETFE	<b>MX0183</b>	1240736100
20	Spindle	1	All models	Alumina Ceramic	<b>MX0182</b>	1240735900
21	Bearing	1	<b>CV•CE</b>	Carbon	<b>MX0306</b>	1240735700
		1	<b>RV•RE</b>	PTFE	<b>MX0307</b>	1240735800
22	Mouth Ring	1	All models	PTFE	<b>MDM0951</b>	1240811100
23	O-Ring, G-230	1	<b>CV•RV</b>	FKM-A	<b>MX0974</b>	0325300070
		1	<b>CE•RE</b>	EPDM	<b>MX0973</b>	0325300081
24	O-Ring, G-70	1	<b>CV•RV</b>	FKM-A	<b>MX0978</b>	0325300000
		1	<b>CE•RE</b>	EPDM	<b>MX0977</b>	0325300569
25	O-Ring, G-55	1	<b>CV•RV</b>	FKM-A	<b>SMX0115</b>	0325300326
		1	<b>CE•RE</b>	EPDM	<b>SMX0116</b>	0325300493
27	Lock Pin	2	All models	GFRPPS	<b>MX0308</b>	1240736600
A	Rear Casing Ass'y <2+19+20>	1	All models	GFRPP+CFRPEEK+CE	<b>MX0966</b>	2231270000
B	Impeller+M. R. Ass'y <3+22>	1	50Hz	GFRPP+PTFE	<b>MX0969</b>	1231270210
C	Front Casing Assembly <1+13.1+13.2+14.1+14.2+24+25>	1	<b>CV•RV</b>	GFRPP+CE+FKM-A	<b>MX0995</b>	2210050410
		1	<b>CE•RE</b>	GFRPP+CE+EPDM	<b>MX0996</b>	2210050420

⚠ Subject to change without prior notice! ⚠ Actual pump may differ from the exploded view!