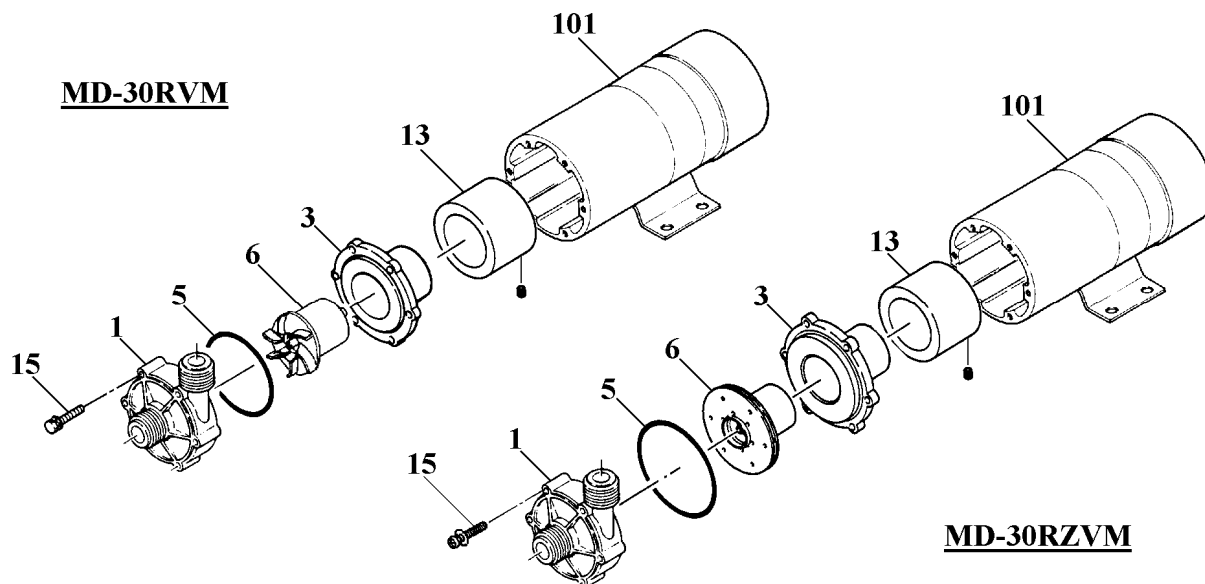


MD-30RVM • 30RZVM



Item	Description		Qté	Materiau	MD-30RVM	MD-30RZVM	
					Réf	Réf	
1	Corps avant 'M' (+palier)		1	CFRPvdF+PTFE	MD0724	MD0720	
3	Corps arrière (+palier)		1	CFRPvdF+PTFE	MD0726	MD0603	
5	Joint Torique	G-65	1	FKM	MD0059		
			1	EPDM	MD0060		
		81x1,78	1	FKM		MD0003	
			1	EPDM		MD0004	
6	Turbine		1	CFRPvdF+Ferrite+	MD0727		
			1	Alumina Ceramic		MD0739	
13	entraîneur		1	Aluminium+Ferrite	MD0785	↔	
15	Vis + Rondelles	M5x40	6	SUS304 equivalent	MD0377		
	Vis + Rondelles	M4x32	6	SUS304 equivalent		MD0043	
101	Moteur '220N' [AC220/240V]		45W	1		MD0404	
			45W	1		MD0406	
*1	Corps avant +palier		1	CFRPvdF+PTFE	MD0723	MD0718	
1+3 +5+ 6	Partie mouillée		*MD-30RV	1	with FKM	11112550	
			MD-30RVM	1	with FKM	11113109	
			*MD-30RZV	1	with FKM		11112551
			MD-30RZVM	1	with FKM		11113111

*Note: "Hose" connection type Front Casing Unit (not illustrated) is optionally available.