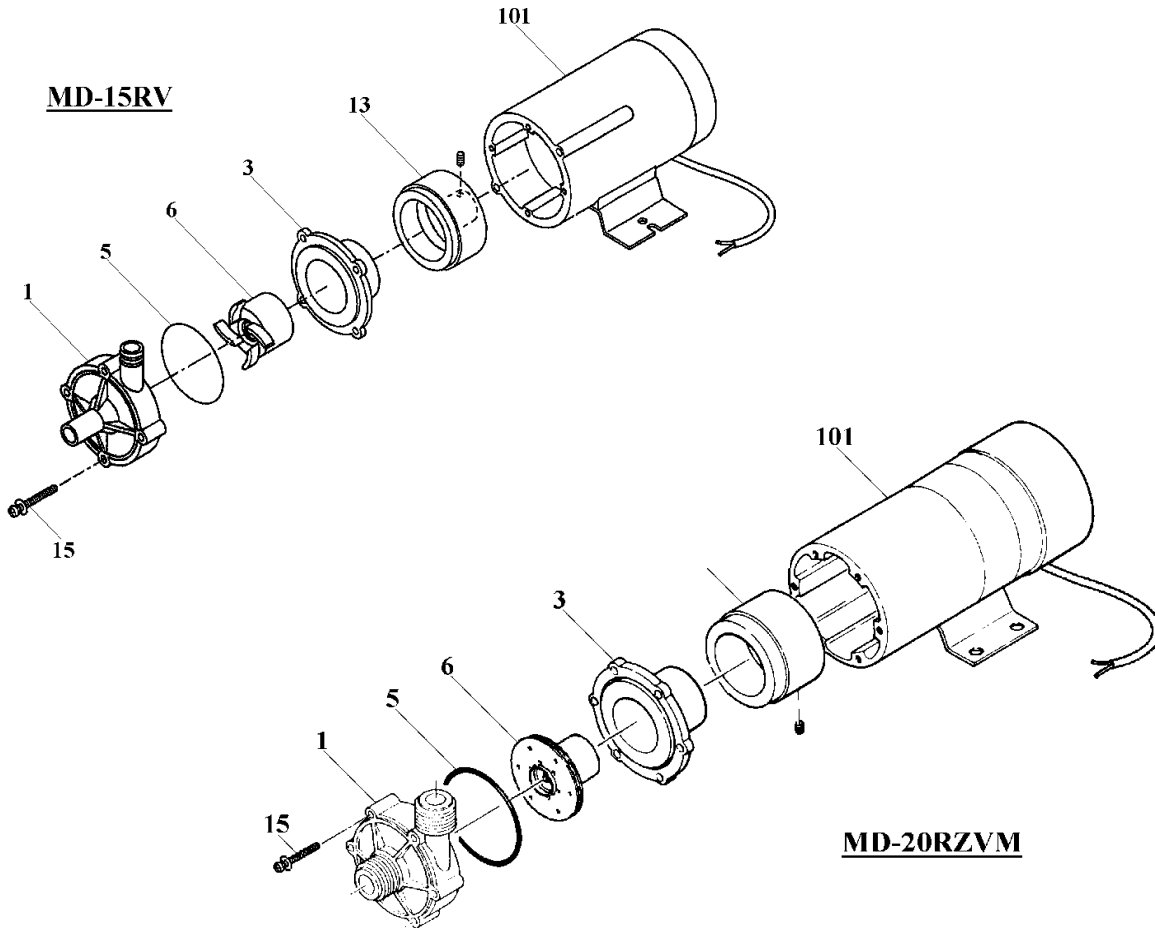


MD-15RV • 20RZVM



Item	Description	Qté	Matériau	MD-15RV	MD-20RZVM
				Réf	Réf
1	Corps avant + palier	1	CFRPvdF+PTFE	MD0715	MD0718
	" 'M' "	1			MD0720
3	Corps arrière + palier	1	CFRPvdF+PTFE	MD0716	MD0721
5	Joint Torique	AS568A-034	FKM	MD0007	
			EPDM	MD0008	
		81x1,78	FKM		MD0003
			EPDM		MD0004
6	Turbine	1	CFRPvdF+Ferrite+ Alumina Ceramic	MD0717	
		1			MD0722
13	Entraîneur	1	Aluminium+Ferrite	MD0832	MD0833
15	Vis+SW+PW	M4x28	SUS304 equivalent	MD0017	
		M4x32	SUS304 equivalent		MD0043
101	Moteur '220N' [AC220/240V]	10W		MD0626	
		20W			MD0405
1+3	Wet End Set	MD-15RV	with FKM	11112169	
+5+		*MD-20RZV			11112549
6		MD-20RZVM			11112552

*Note: "Hose" connection type Front Casing Unit (not illustrated) for MD-20RZV is optionally available.