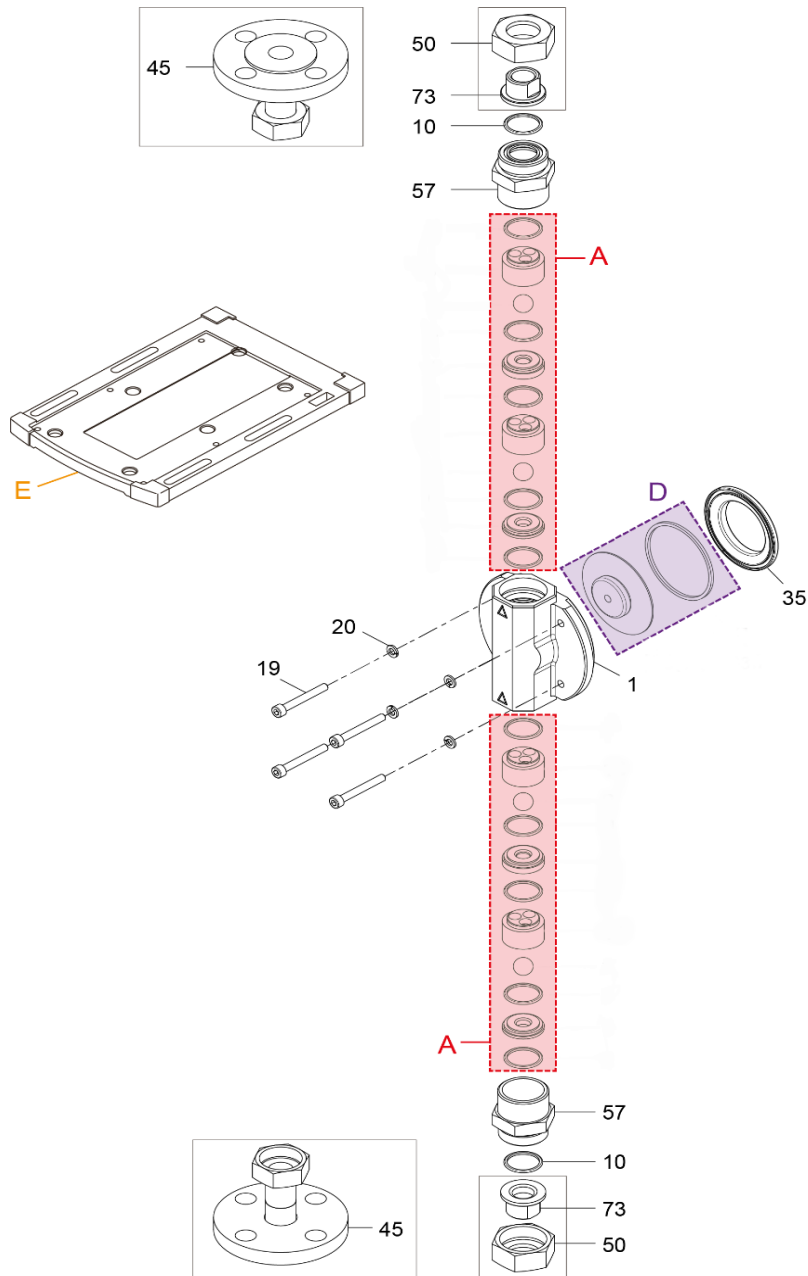


# IX-B030•045S6 (SUS316)

No. 94-018  
Jan. 01, 2019



Item	Description		Q'ty	Remark	Part No.	
1	Pump Head		1	SUS316	IX0366	
10	Gasket		2	PTFE	IX0354	
A	Valve Set		2		IX0371	
19	Hex. Socket Head Bolt	M5x40	4	SUS316L	IX0356	
20	Spring Washer	M5	4	SUS316L	IX0264	
D	Diaphragm Set		1		IX0321	
35	Bracket Spacer		1	GFRPP	IX0313	
45	Flange Unit	JIS 10K 15A	'FJ'	2	SUS316	IX0357
		DIN PN10 DN15	'FD'	2	SUS316	IX0358
		ANSI 150lb 1/2"	'FA'	2	SUS316	IX0359
50	Nut		2	SUS316	IX0360	

57	<b>Adapter</b>			2	SUS316	<b>IX0370</b>
73	<b>Fitting</b>	Rc 3/8"	'R'	2	SUS316	<b>IX0362</b>
		3/8" FNPT	'N'	2	SUS316	<b>IX0363</b>
E	<b>Base</b>			1	GFRPPE	<b>IX0333</b>

⚠ Subject to change without prior notice! ⚠ Actual pump may differ from the exploded view!